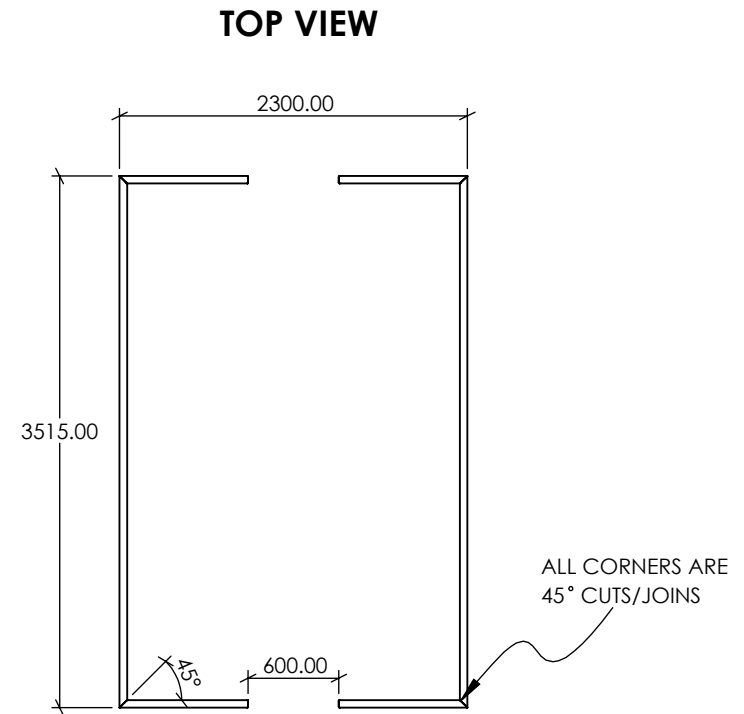


NOTE: ENSURE VERTICAL POSTS LINE UP WITH JOISTS ON MAIN FRAME SEE DWG 7112 FOR DETAIL



NOTE:-ALL STRUCTURE IS FULLY WELDED WITH A NOMINAL FILLET RADIUS OF 5mm.
 -ALL EXTRUSIONS ARE OF GRADE 6063- T5 OR EQUIVALENT.
 -ALL 50x50x3 RHS ARE TO HAVE 5mm RADIUS EDGE.
 -ALL OTHER RHS TO HAVE 3mm RADIUS EDGE

FRONT & BACK VIEW

