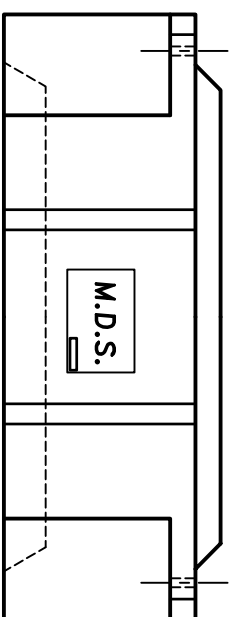
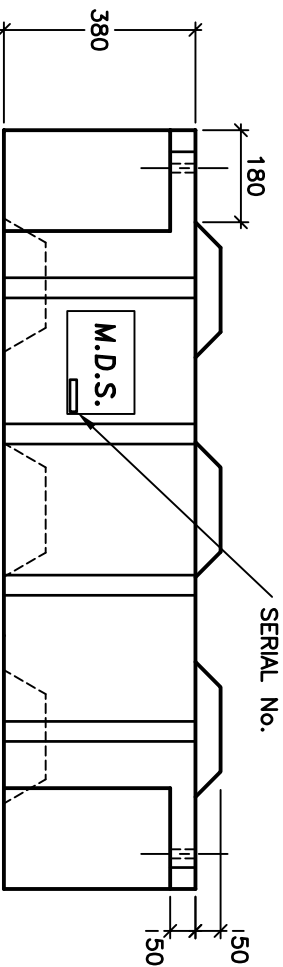
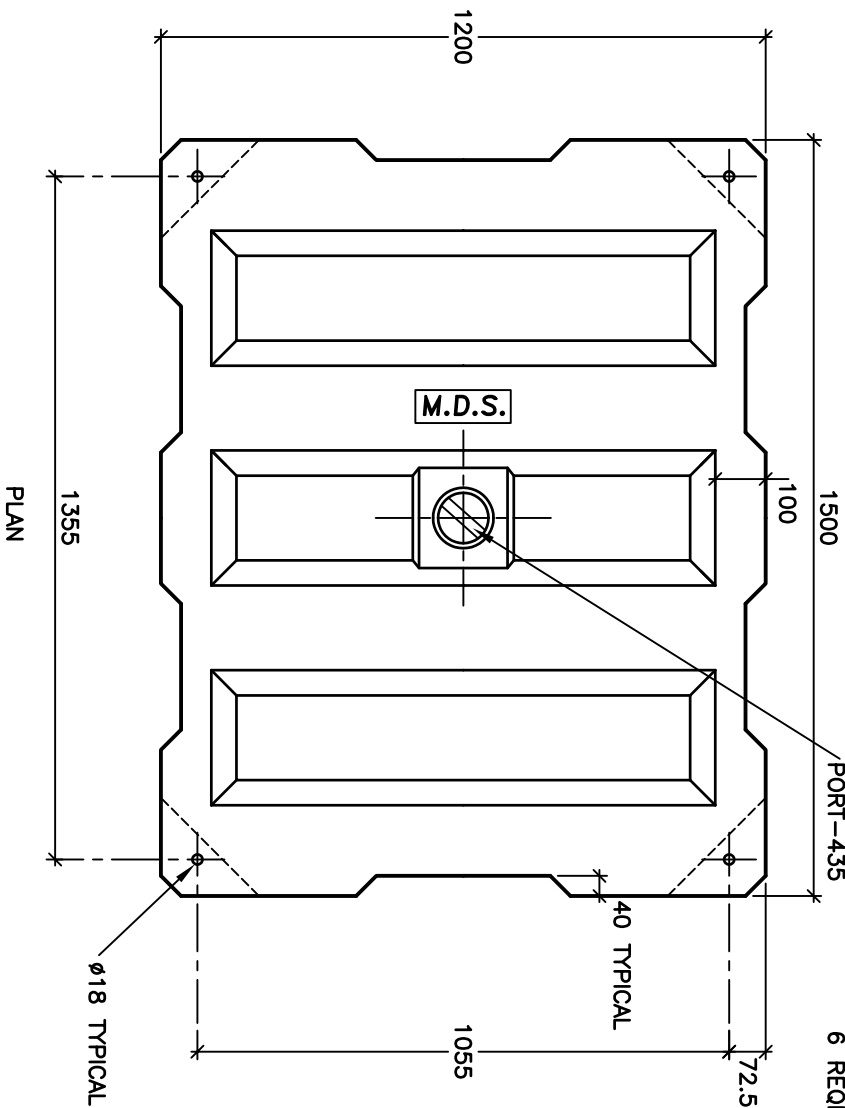


INSPECTION PORT  
 Ø100  
 PORT-435  
 RIVT-441 AND  
 WASHER-1164  
 6 REQD.

DO NOT SCALE



WARNING-THIS FLOTATION MODULE HAS BEEN DESIGNED TO FORM PART OF AN INTEGRATED SYSTEM. THE MODULES STRUCTURAL INTEGRITY, FLOTATION CAPABILITY, STABILITY AND OTHER PROPERTIES ARE A FUNCTION OF THE APPLIED LOADINGS AND THE METHOD OF THE MODULES MOUNTING AND APPLICATION.

MARINE DOCK SYSTEMS PTY.LTD. CANNOT GUARANTEE THE PERFORMANCE OF THIS MODULE UNLESS THE COMPANY PROVIDES WRITTEN ENGINEERING CERTIFICATION FOR ITS INSTALLATION.

OPTIONS-STANDARD FLOATS ARE HOLLOW.  
 -FOR ADDITIONAL FLOTATION SECURITY, FLOATS CAN BE FOAM FILLED. 804  
 -FOR ADJUSTING PONTOON TRIM, FLOATS CAN BE FILLED WITH BALLAST.  
 MATERIAL-FLOTATION MODULES ARE MANUFACTURED BY ROTATIONAL CASTING.

-FLOTATION MODULES ARE MANUFACTURED FROM U.V. STABILISED, HIGH STRESS CRACK RESISTANT, LINEAR POLYETHYLENE.  
 -STANDARD COLOUR- BLACK  
 OTHER COLOURS ARE MADE TO ORDER.  
 -APPROX. WEIGHT-40kg  
 -DUE TO THE MANUFACTURING PROCESS, FLOAT DIMENSIONS MAY VARY.

FOR TECHNICAL INFORMATION CONSULT MARINE DOCK SYSTEMS. PH.(02) 9627 5577

REGD.DESIGN

PROFILE

FOR DETAIL DRAWING, REFER TO DWG. A4-837

MARINE DOCK SYSTEMS  
 PTY LTD

FLOTATION MODULE  
 650 LITRE

FLO650-278



|       |         |
|-------|---------|
| SCALE | N.T.S.  |
| DRAWN | BJM     |
| DATE  | 26.5.97 |

DRAWING No.

**A4-278**

|     |   |
|-----|---|
| REV | D |
|-----|---|